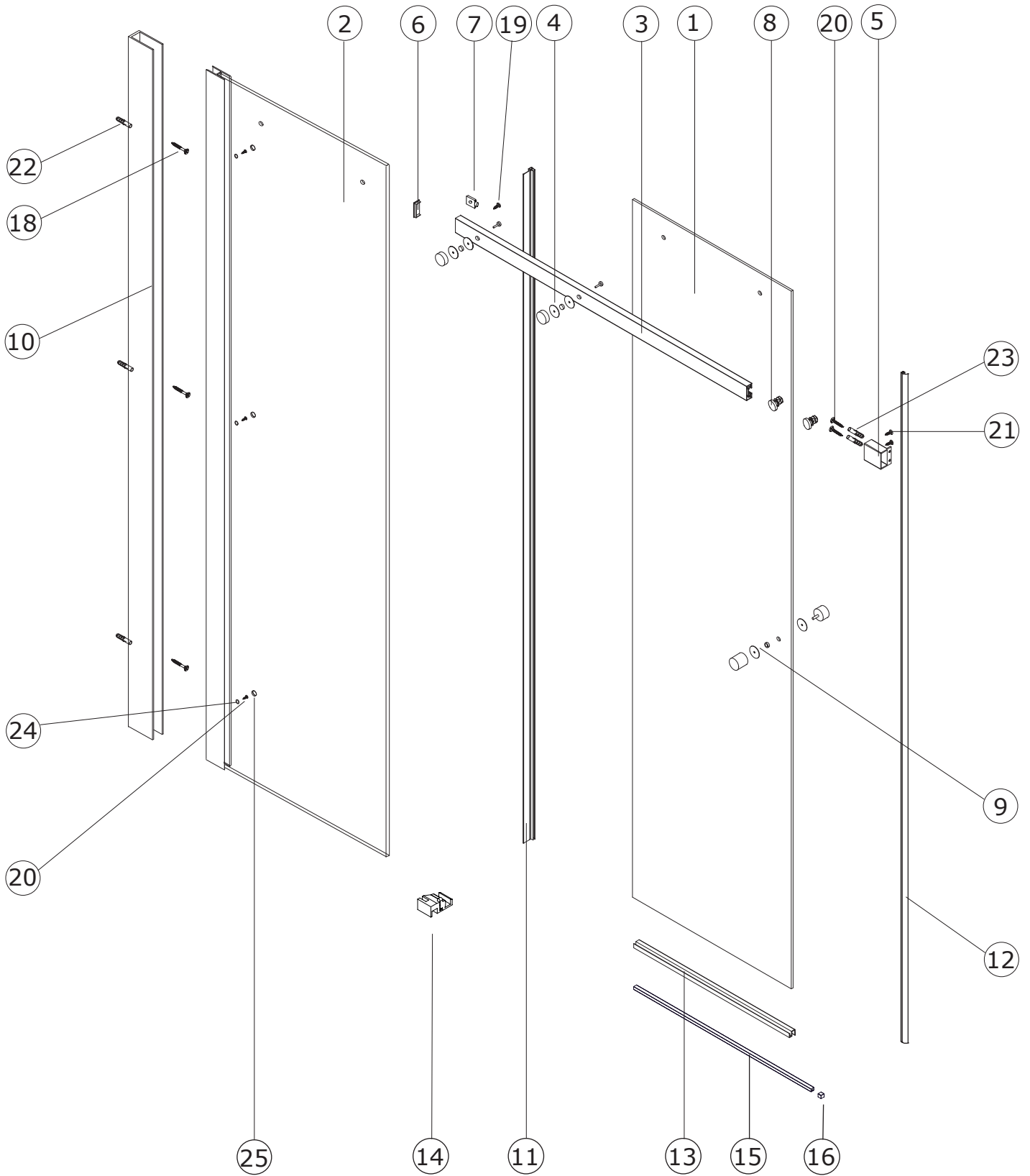


SU2

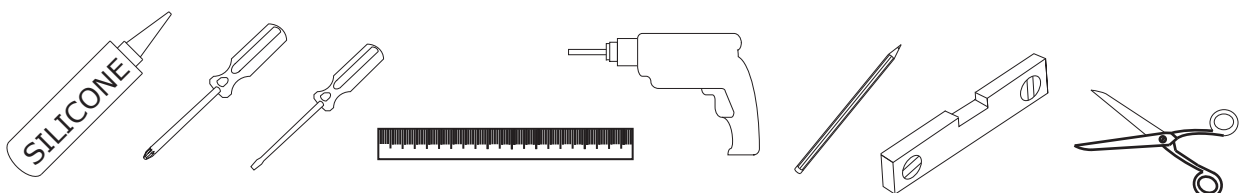


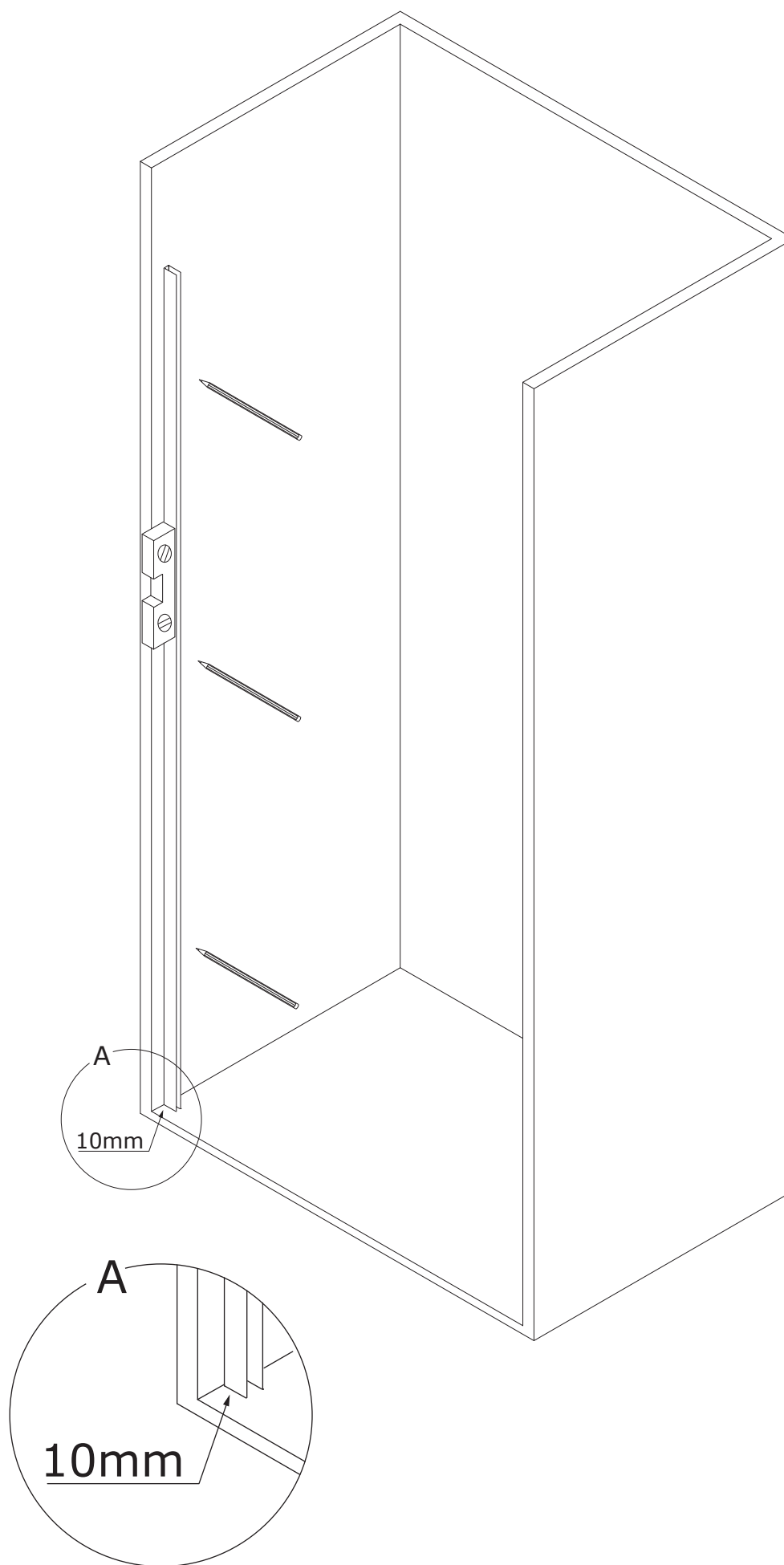
SU2

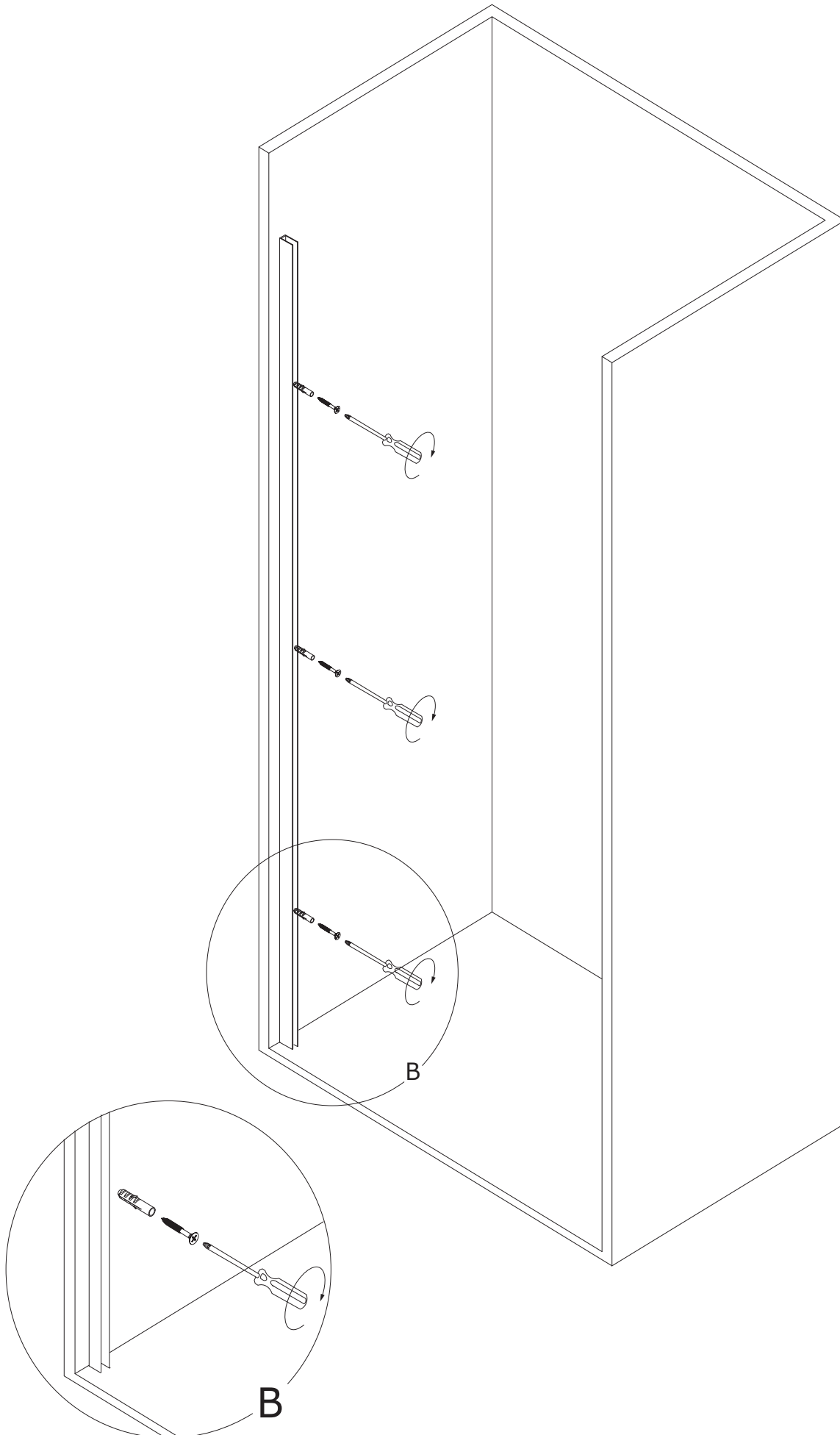
COMPONENTES/COMPONENTS/COMPOSANTS

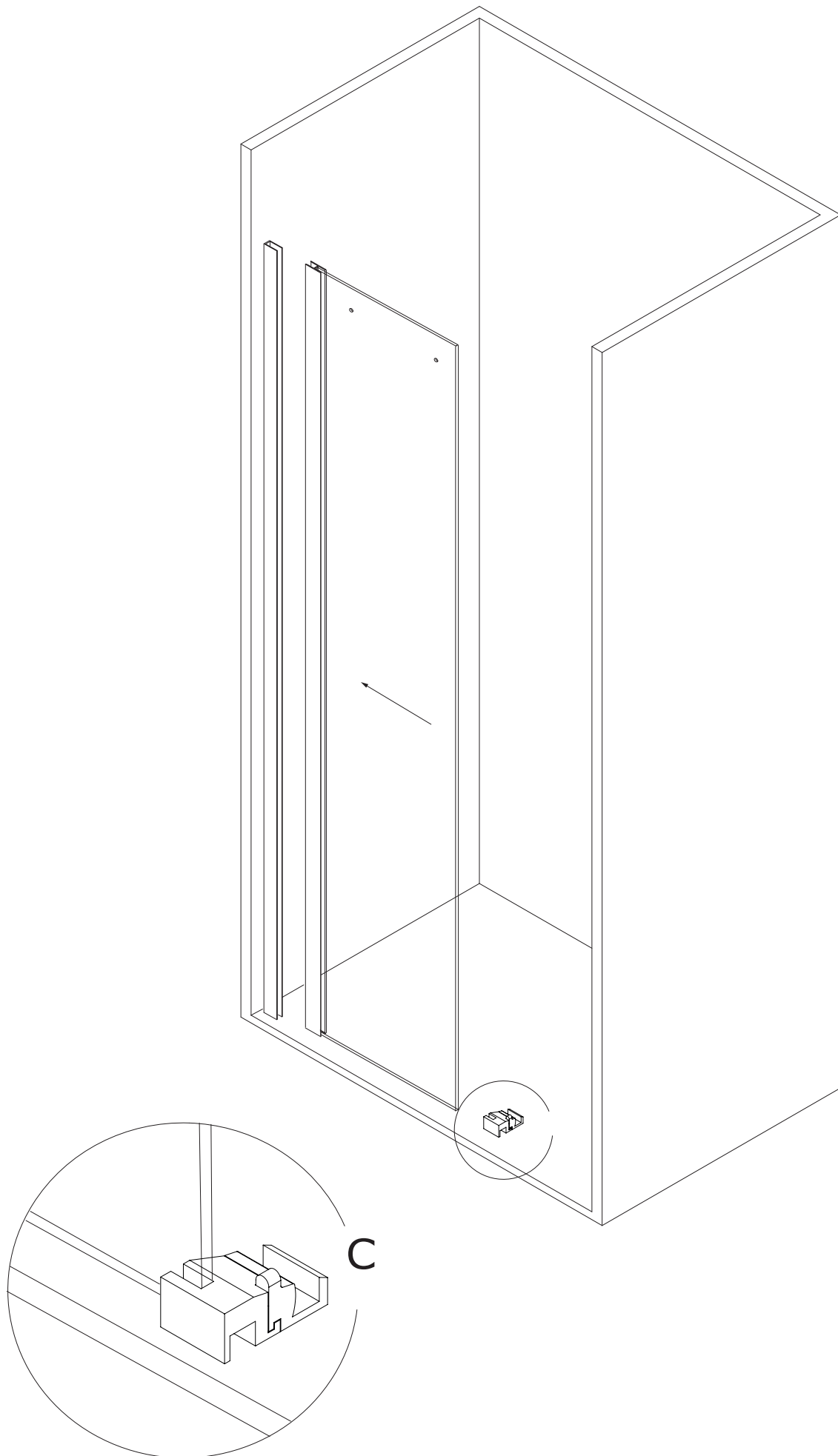
CODE	DESCRIPTION			UNITS
1	VIDRIO MÓVIL	MOBILE GLASS	PAROI MOBILE	1
2	VIDRIO FIJO	FIXED GLASS	PAROI FIXE	1
3	BARRA SUPERIOR	TOP BAR	BARRE SUPÉRIEURE	1
4	SOPORTE BARRA-VIDRIO	GLASS SUPPORT BAR	SUPPORT BARRE-VERRE	2
5	SOPORTE BARRA-PARED	WALL SUPPORT BAR	SUPPORT BARRE-MURALE	1
6	TAPA FINAL BARRA SUPERIOR	COVER TOP BAR	CACHE BARRE SUPÉRIEIRE	1
7	TOPE	STOP	BUTOIR	1
8	RODAMIENTO	BEARING	ROULEMENT	2
9	POMO	HANDLE	POIGNÉE	1
10	PERFIL A PARED	WALL ATTACHMENT PROFILE	PROFILÉ MURAL	1
11	JUNTA CRUCE ENTRE VIDIROS	INTERSECTION JOINT BETWEEN GLASSES	JOINT CROISEMENT ENTRE PAROIS	1
12	JUNTA CIERRE A PARED	JOINT SEAL WALL	JOINT FERMETURE MURALE	1
13	GOMA VIERTEAGUAS	RAIN GUARD RUBBER	CAOUTCHOUC REJET D'EAU	1
14	GUIADOR	GUIDEWIRE	GUIDE	1
15	VIERTEAGUAS	RAIN GUARD	REJETS D'EAU	1
16	REMATE VIERTEAGUAS	FINISH RAIN GUARD	CACHE REJETS D'EAU	2
18	TORNILLOS A PARED (PERFIL)	WALL SCREW (PROFILE)	VIS MURALE (PROFILÉ)	3
19	TORNILLO (TOPE)	SCREW (STOP)	VIS (BUTOIR)	1
20	AUTORROSCANTE 3,9X13	WALL SCREW	VIS MURALE	3
21	AUTORROSCANTES 4,2x 13	SELF-TAPPING SCREW	VIS AUTOFOREUSES	2
22	TACO (PERFIL)	WALL PLUG (PROFILE)	CHEVILLE (PROFILÉ)	3
23	TACO	WALL PLUG	CHEVILLE	2
24	ARANDELAS	WASHER	RONDELLE	3
25	EMBELLECEDORES	FINISH SCREW	CACHE-VIS	3

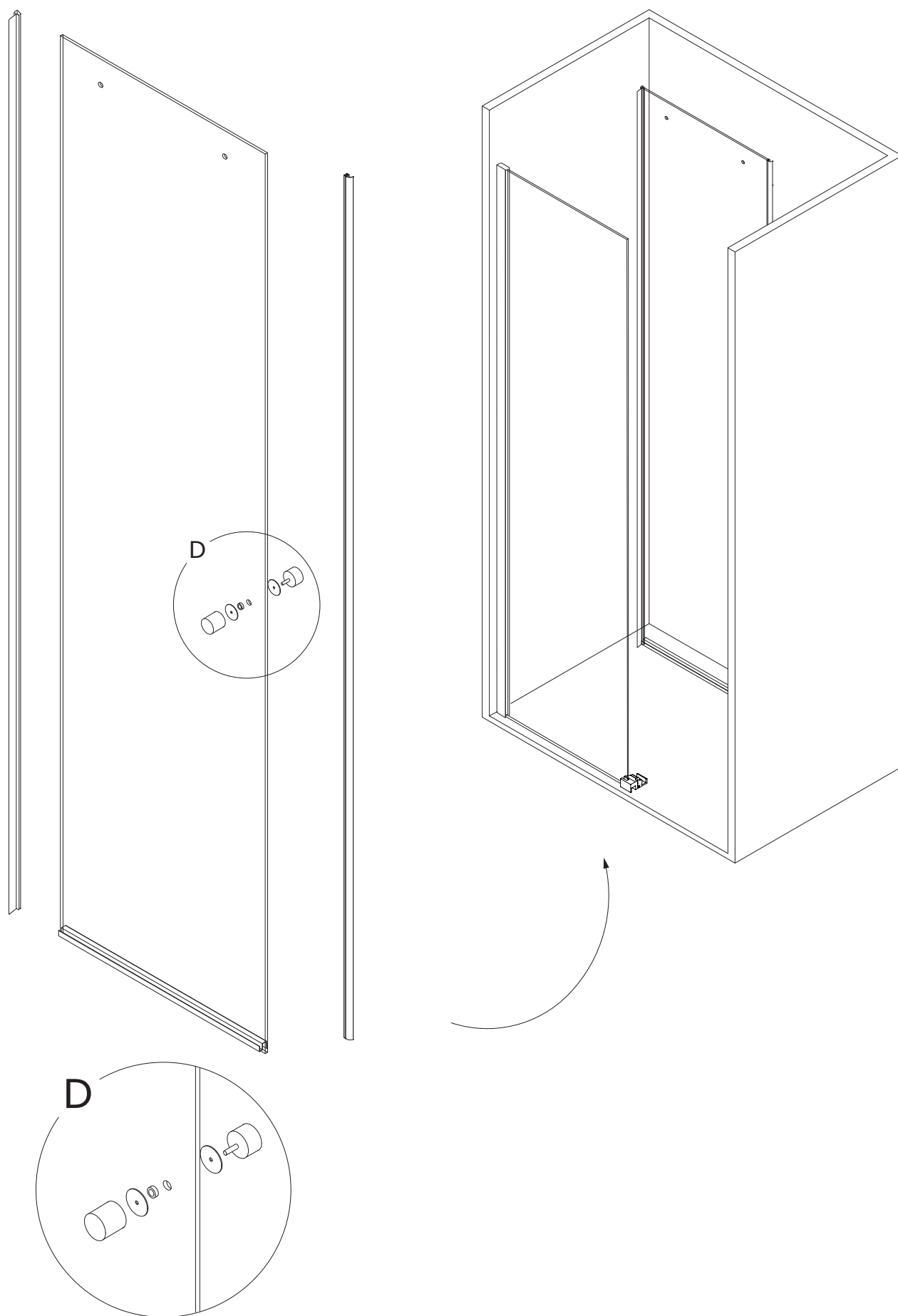
HERRAMIENTAS NECESARIAS/TOOLS NEEDED/OUTILS NÉCESSAIRES

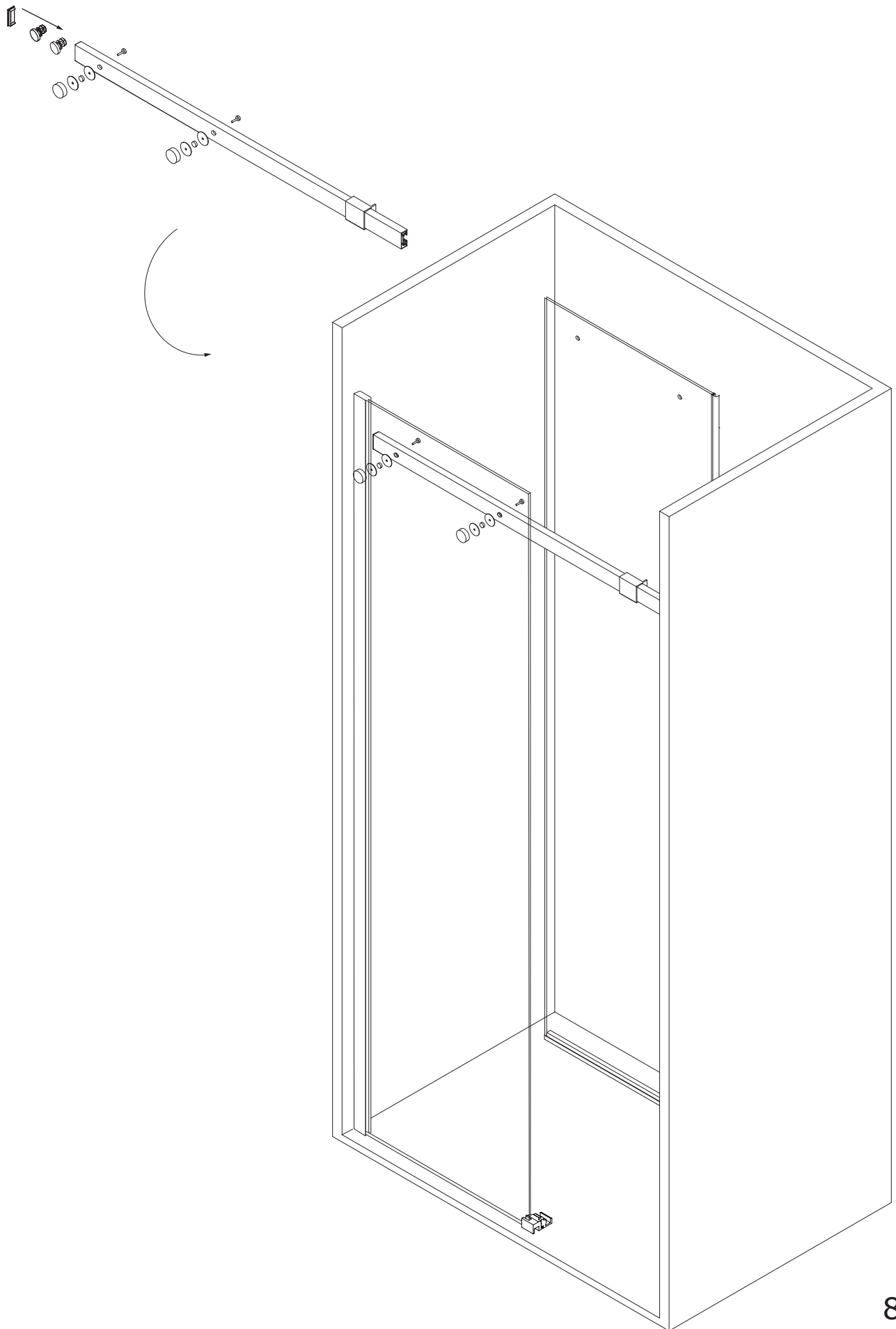


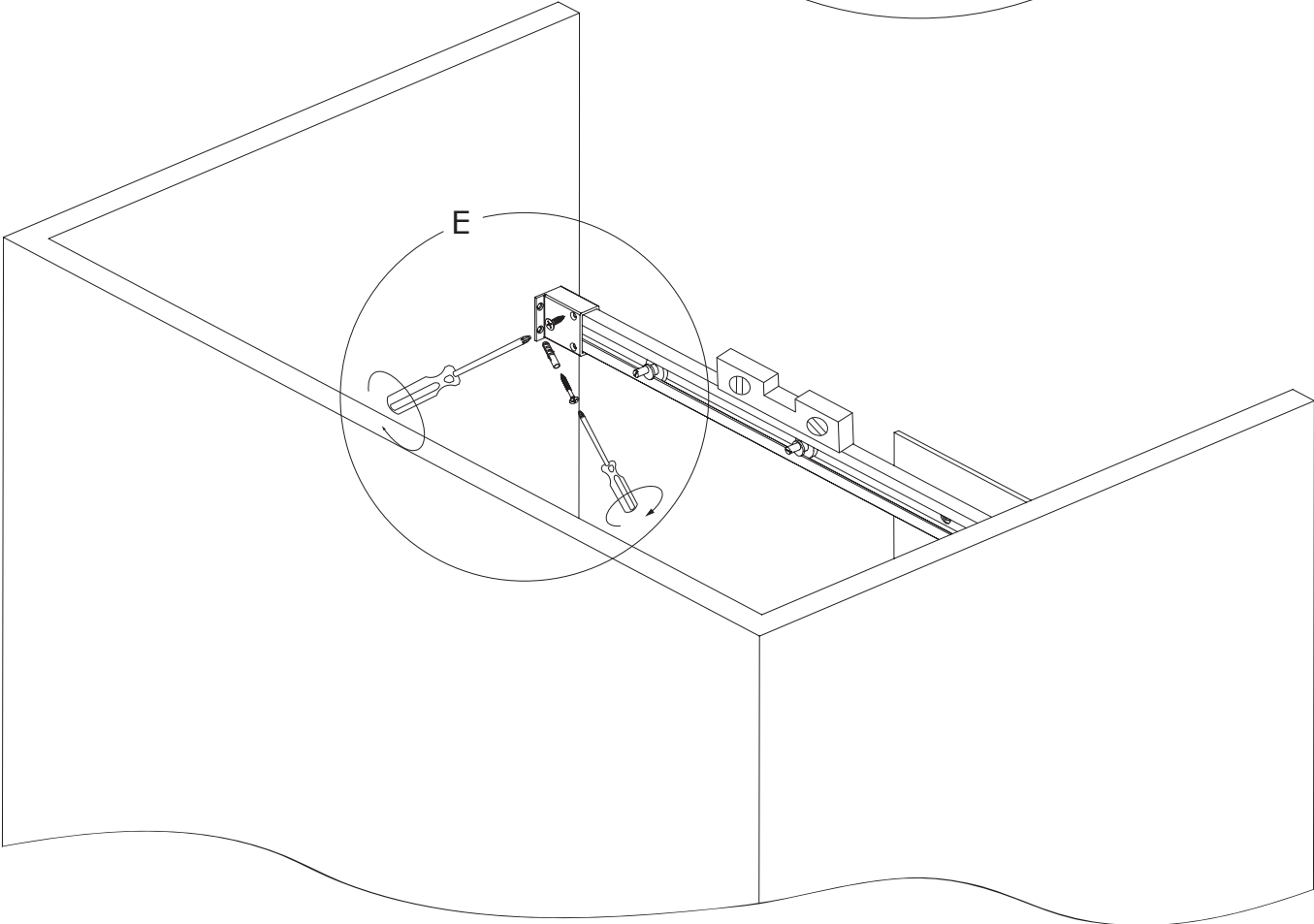
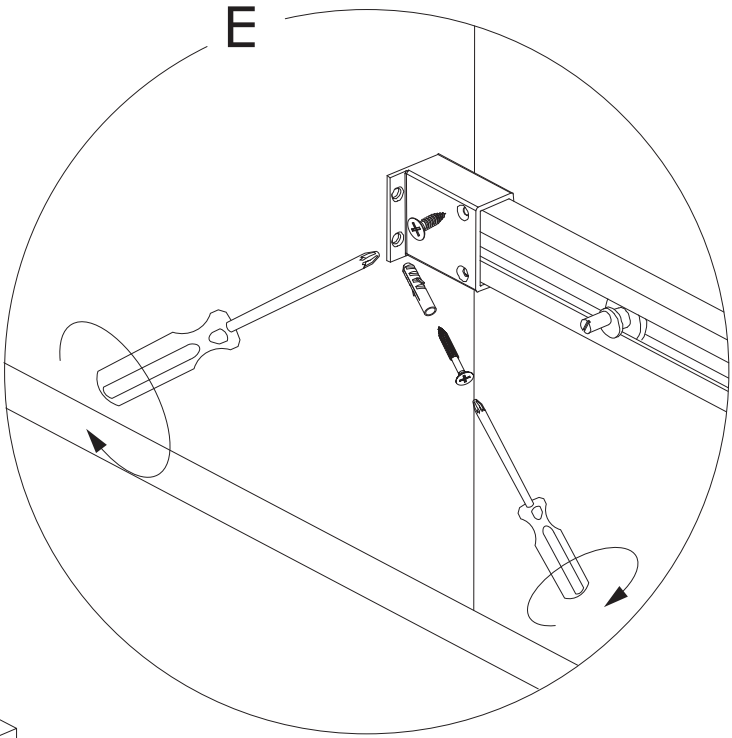


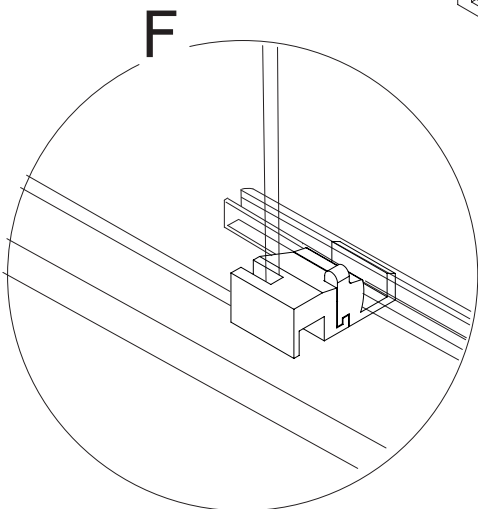
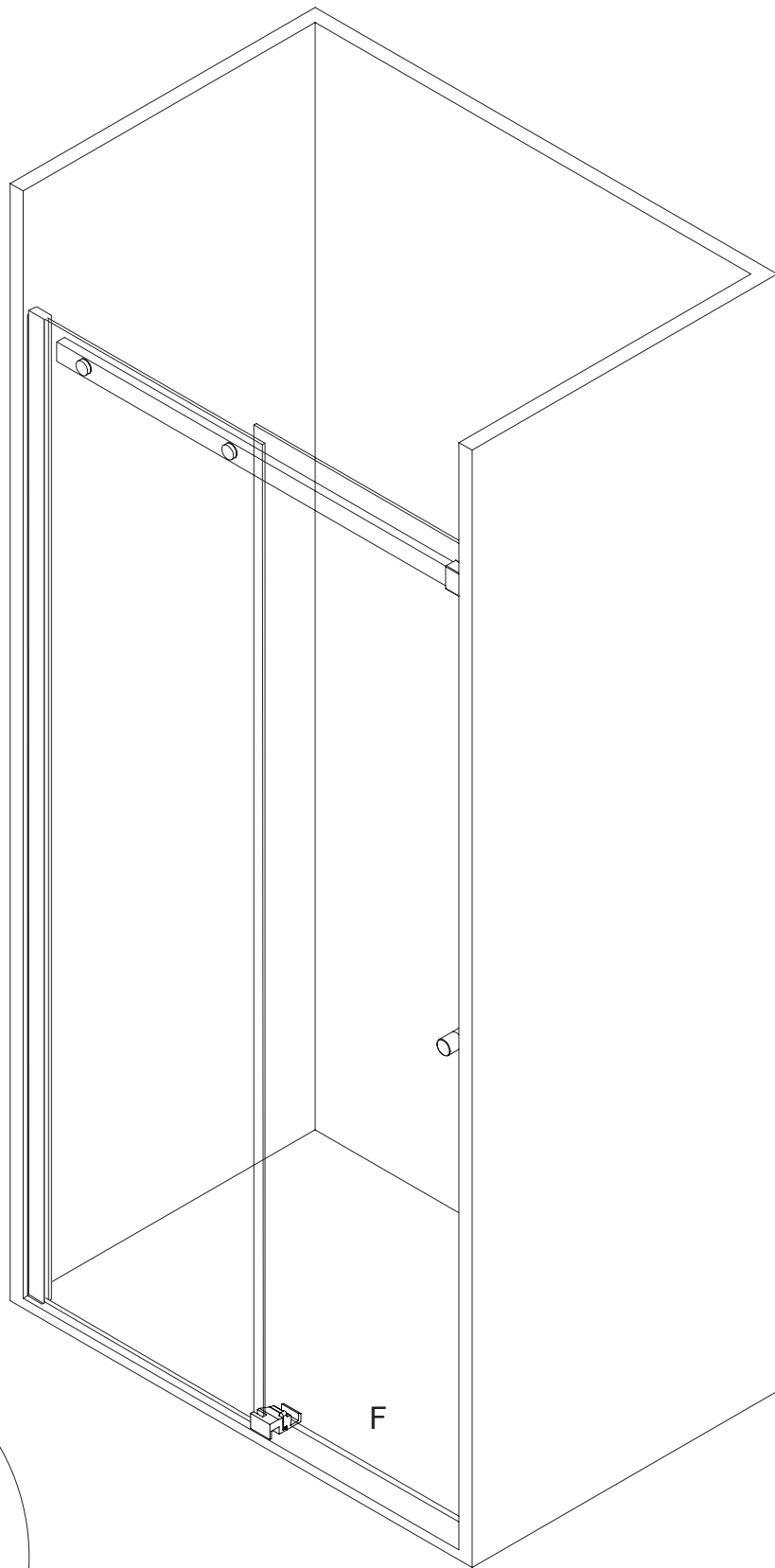


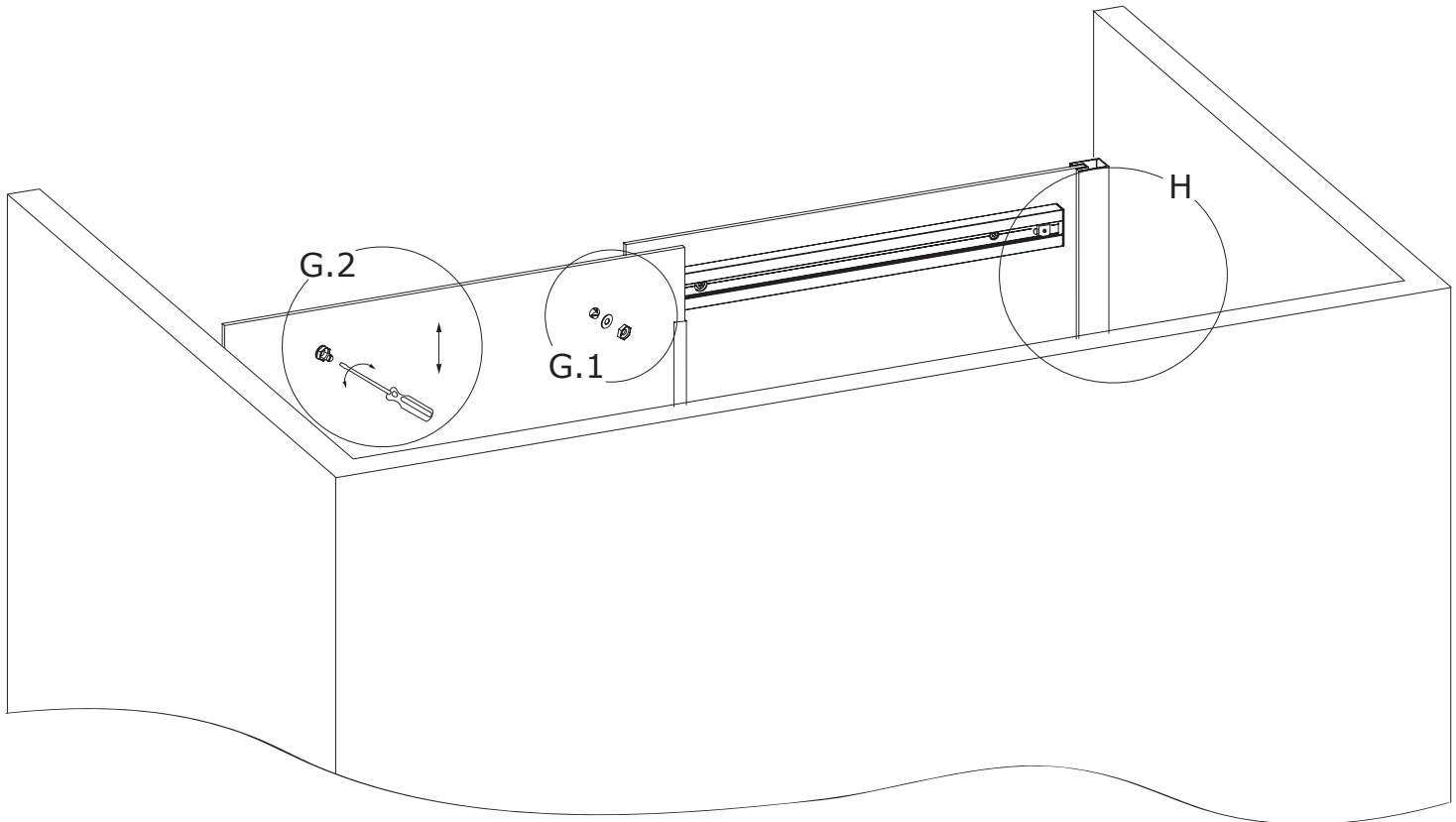
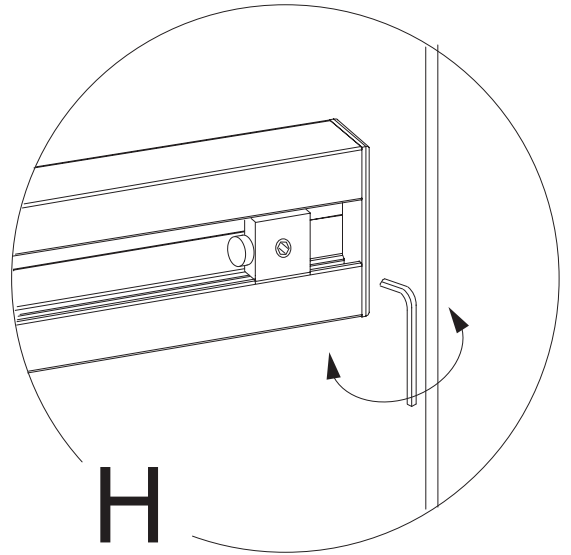
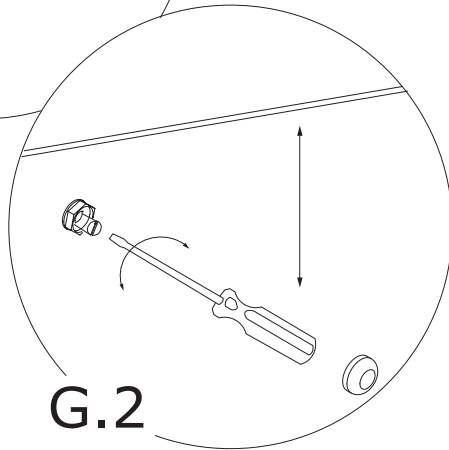
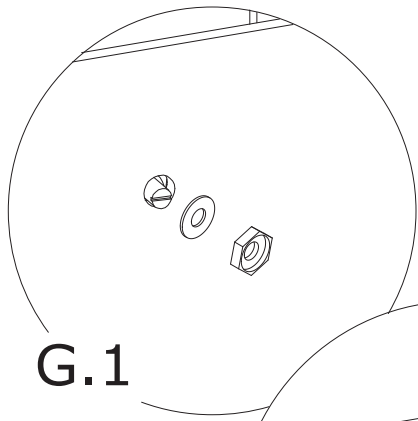


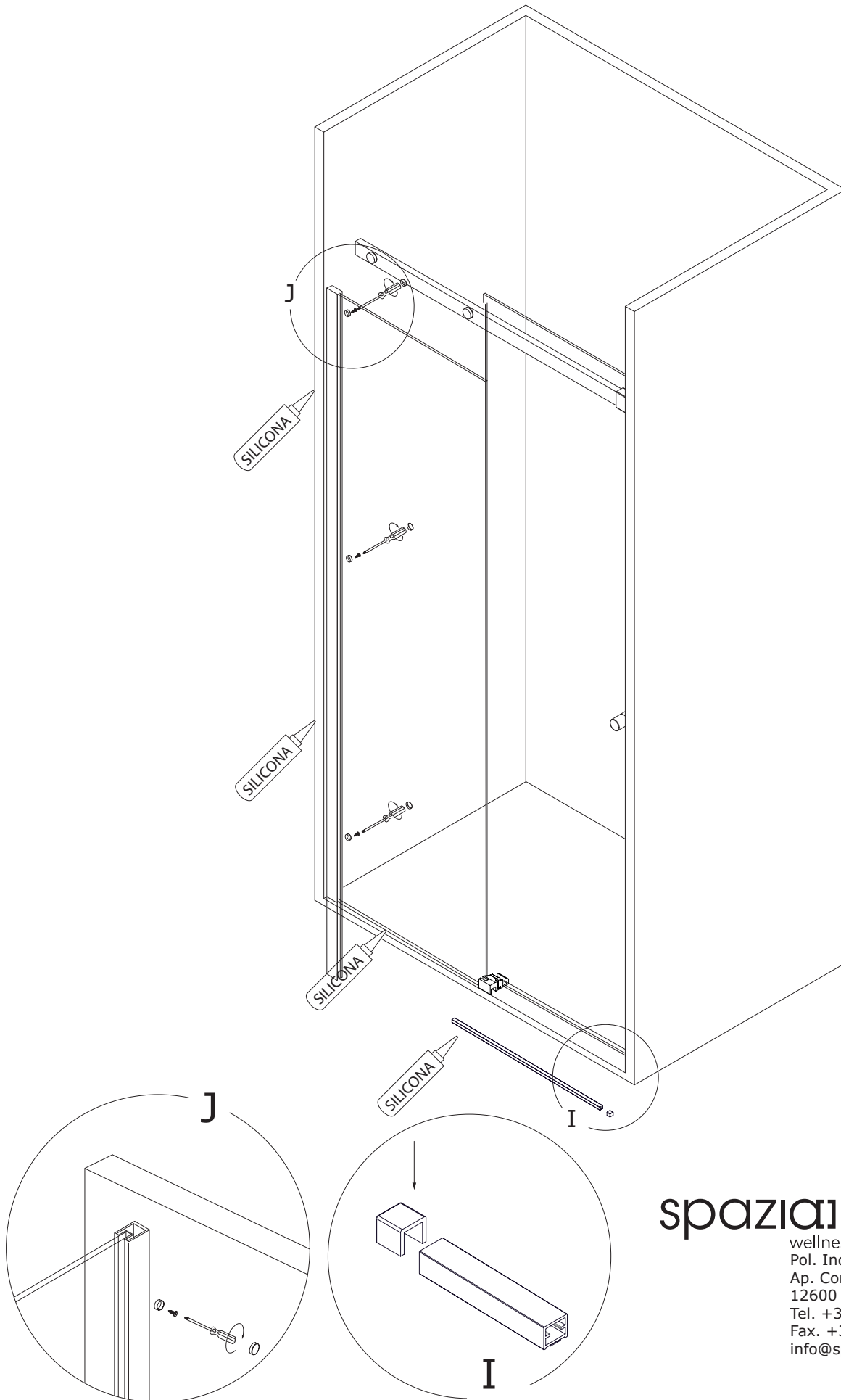












spazia

wellness spaces.
 Pol. Ind. La Mezquita. Nave 402
 Ap. Correos 92
 12600 Vall de Uxó - Castellón
 Tel. +34 964 652 898
 Fax. +34 964 652 899
 info@spazia.es www.spazia.es