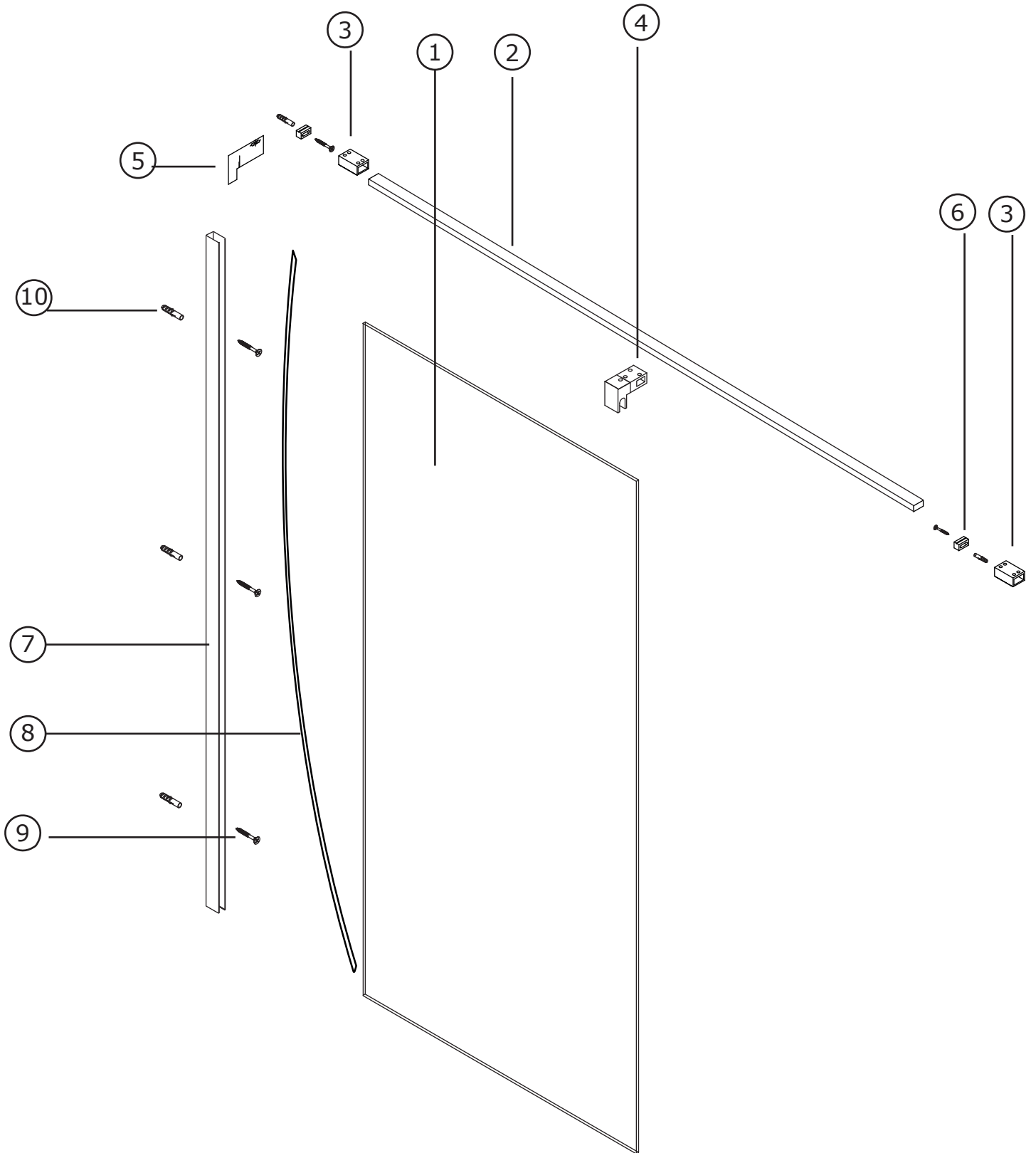


NT02H

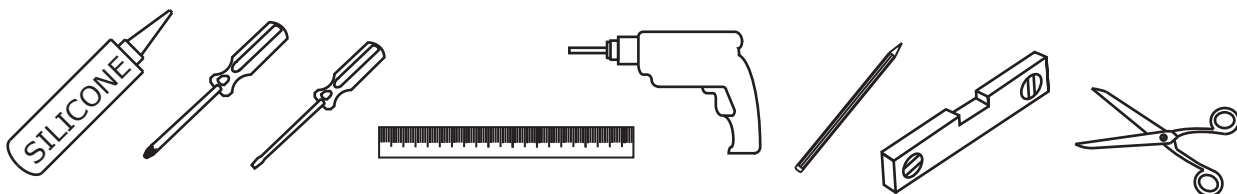


NT02H

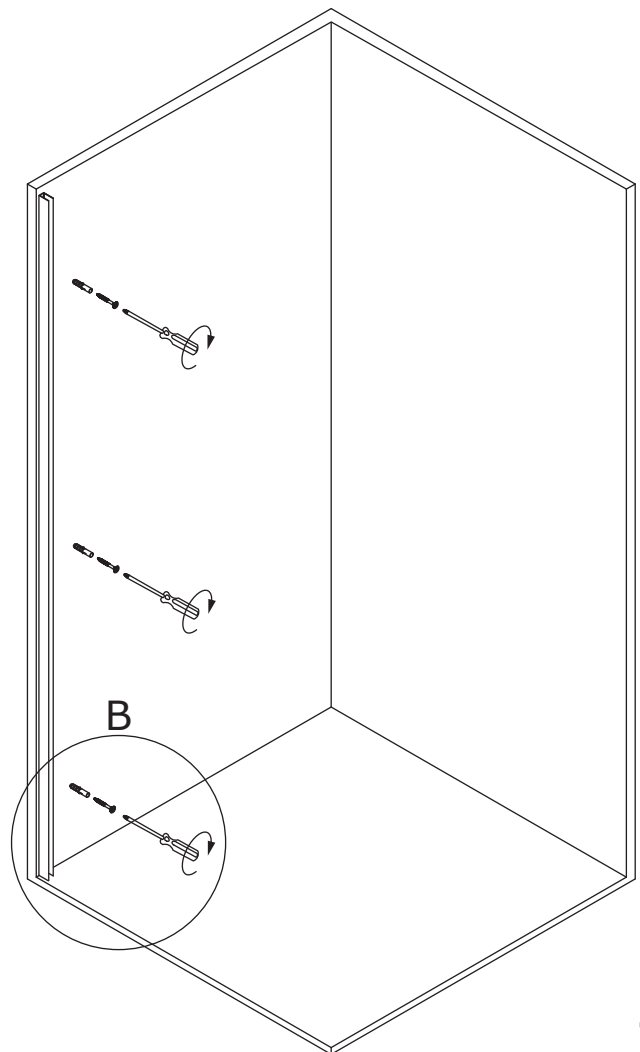
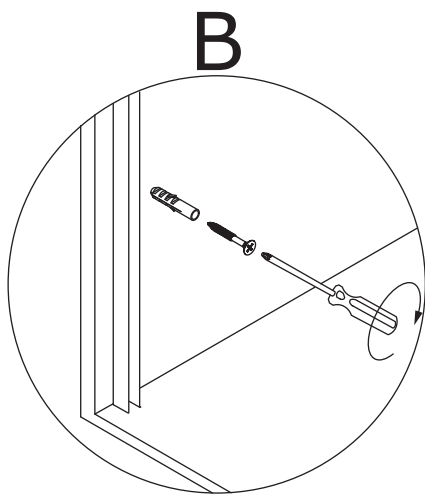
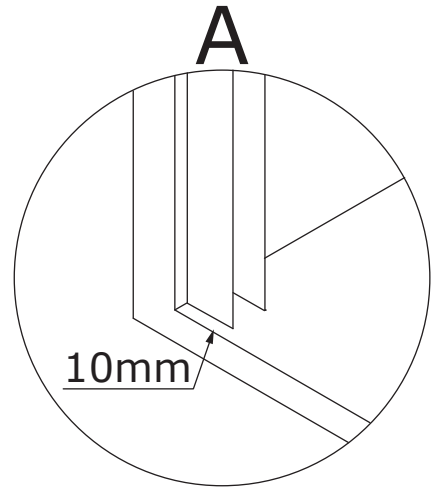
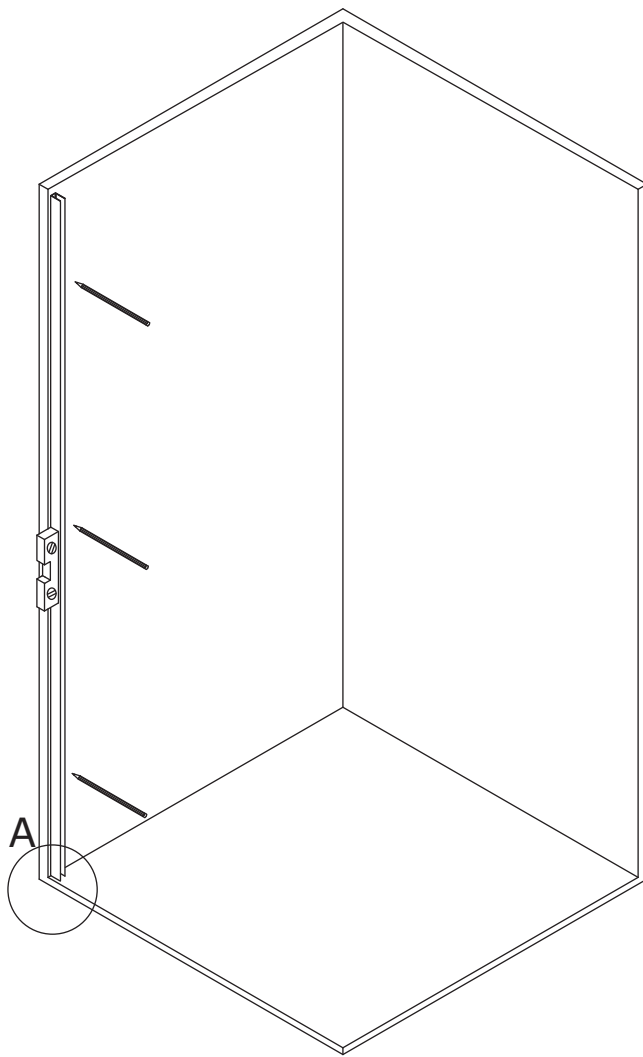
COMPONENTES/COMPONENTS/COMPOSANTS

CODE	DESCRIPTION			UNITS
1	VIDRIO FIJO	FIXED GLASS	PAROI FIXE	1
2	BARRA DE REFUERZO	REINFORCEMENT BAR	BARRE DE RENFORCEMENT	1
3	SOPORTE PARED BARRA	HIGH WALL SUPPORT	SUPPORT MUR	2
4	SUJECION BARRA-VIDRIO	GLASS-STEEL FIXING	FIXAJE VERRE-BARRE	1
5	PLANTILLA A PARED	WALL TEMPLATE	MODÈLE MURAL	1
6	SOPORTE PARED BARRA	LOWER WALL SUPPORT	SUPPORT MUR	1
7	PERFIL A PARED	WALL ATTACHMENT PROFILE	PROFILÉ À LA PAROI	1
8	GOMA PERFIL	PROFILE RUBBER	JOINT PROFILÉ	1
9	TORNILLOS A PARED	WALL SCREW	VIS MURALE	5
10	TACO	WALL PLUG	CHEVILLE	5

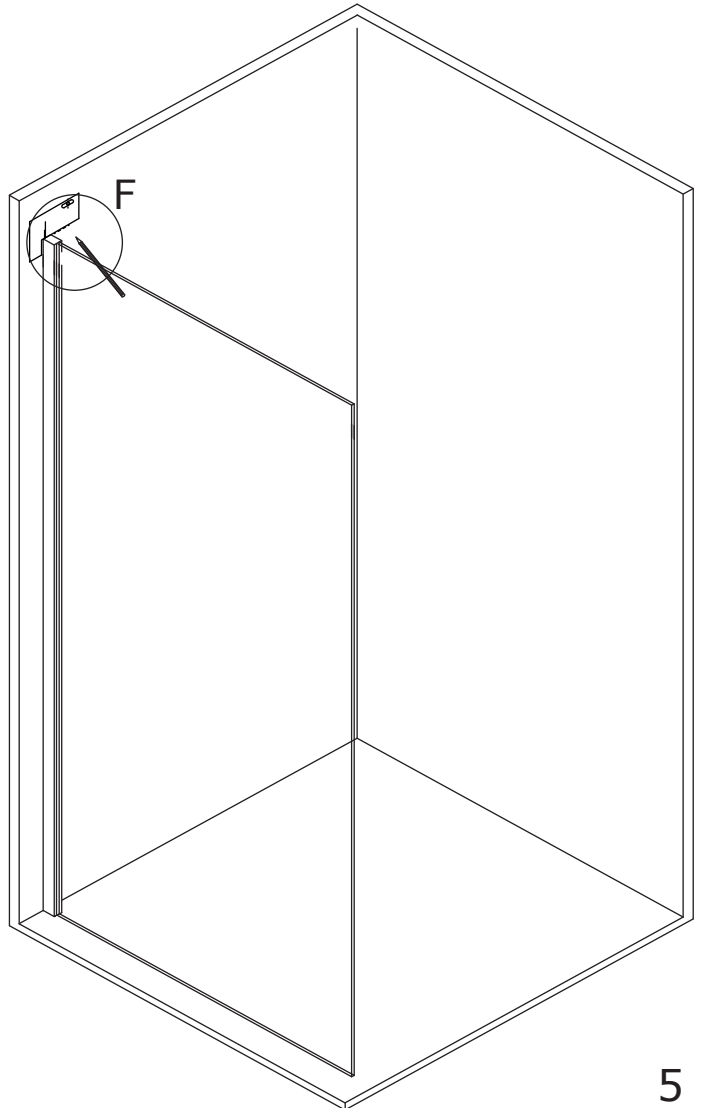
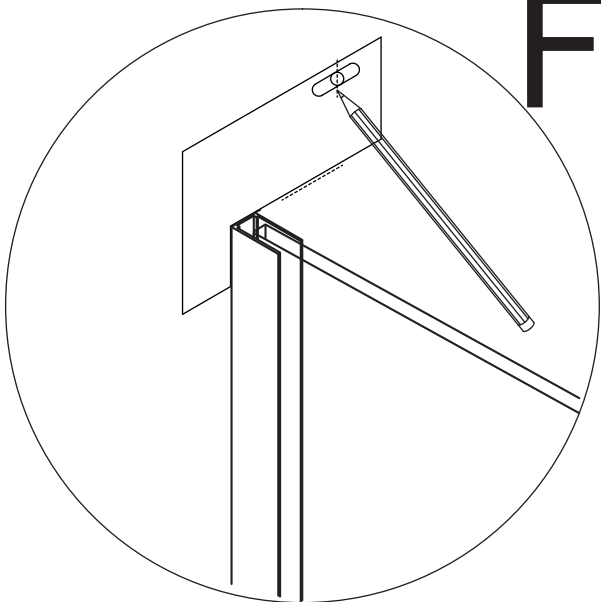
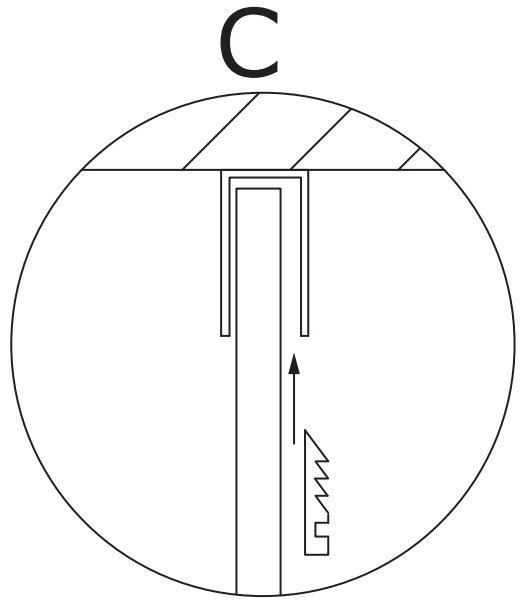
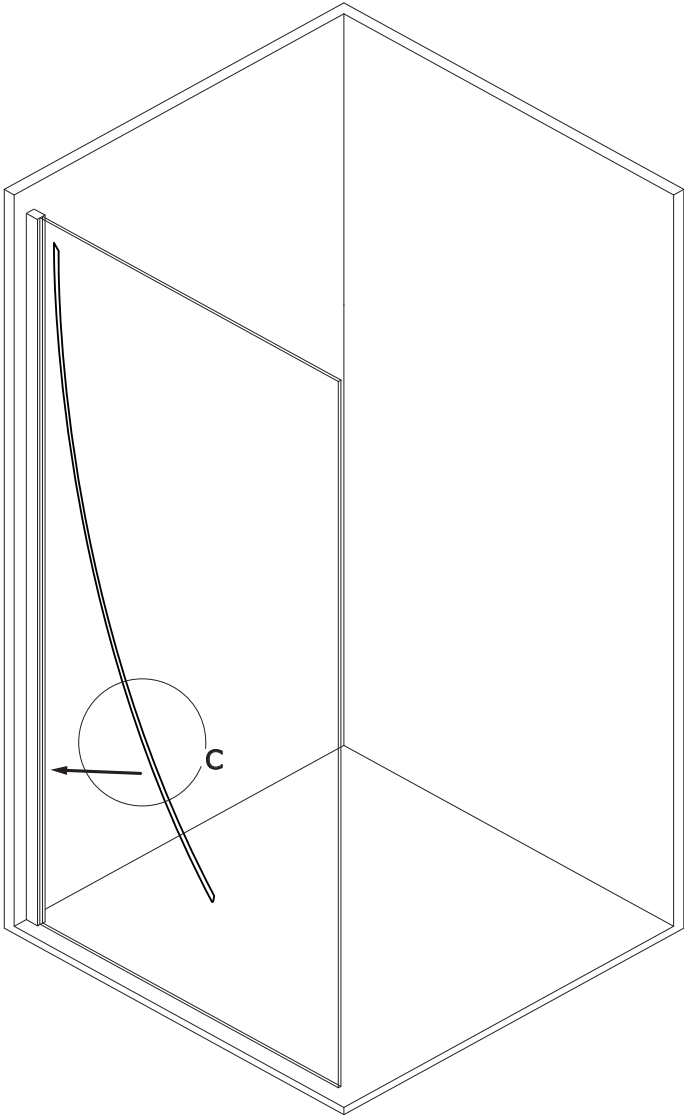
HERRAMIENTAS NECESARIAS/TOOLS NEEDED/OUTILS NÉCESSAIRES



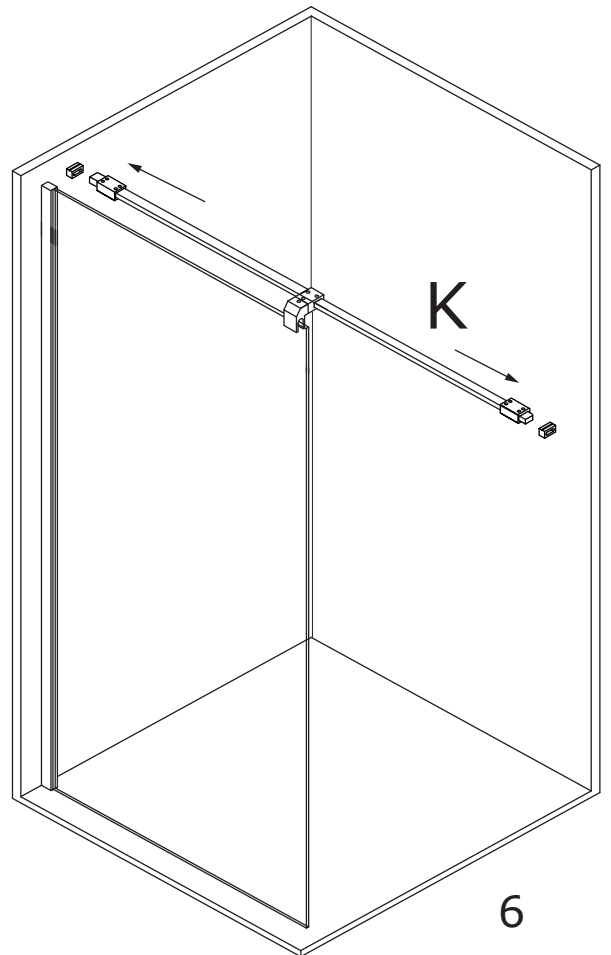
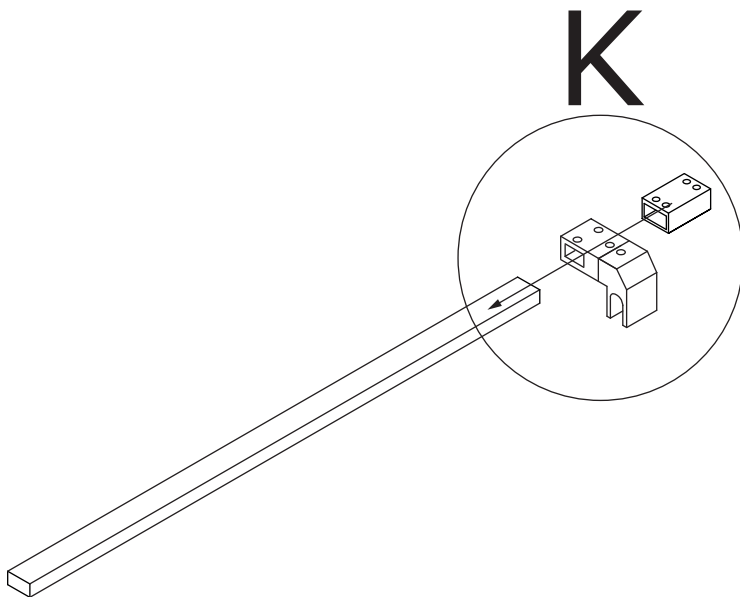
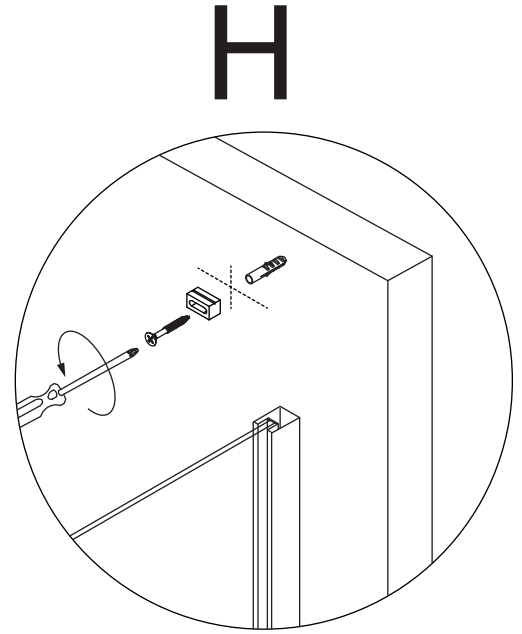
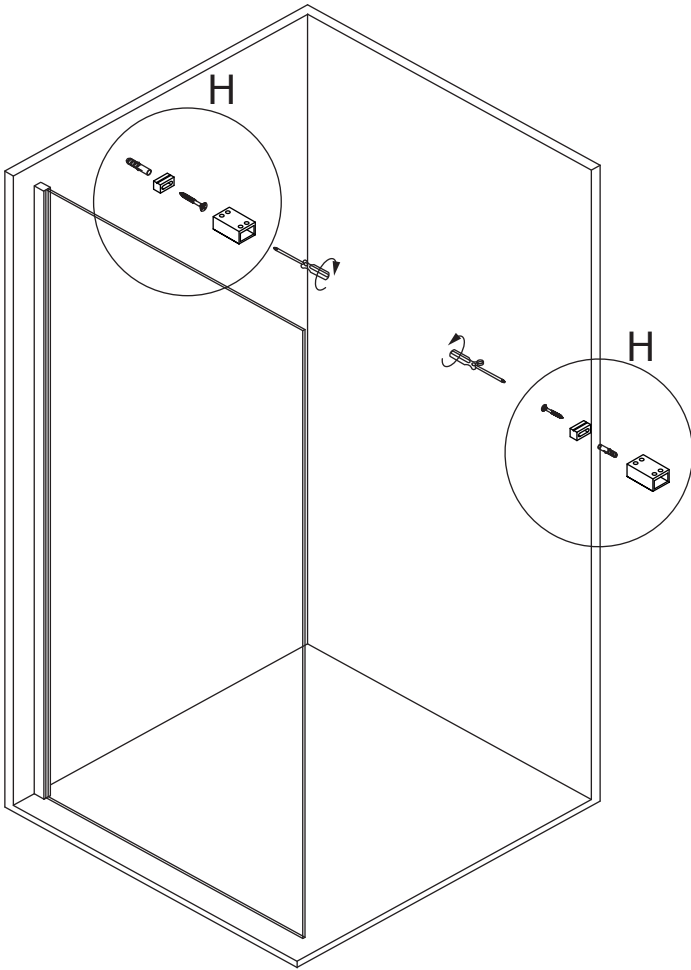
NT02H



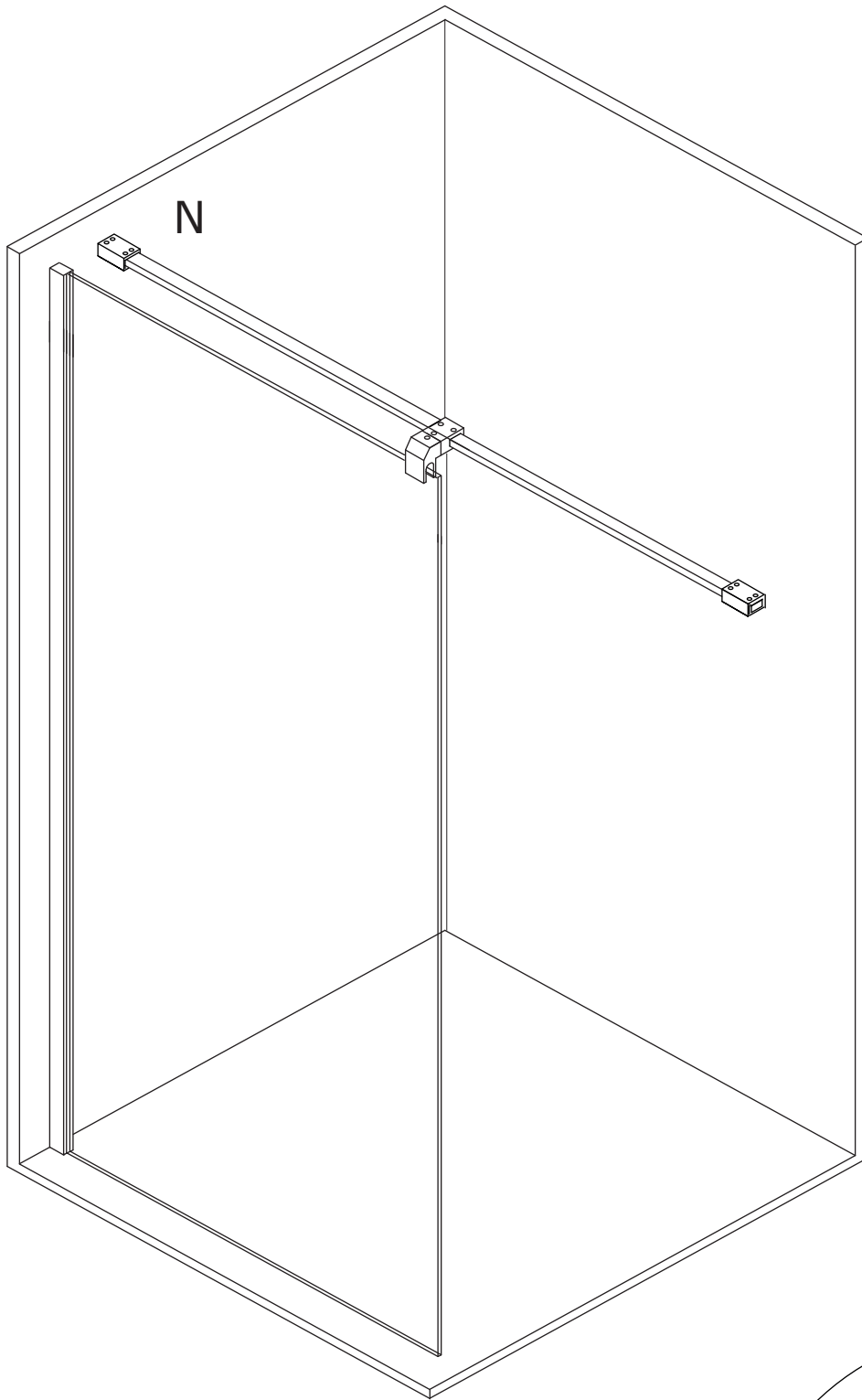
NT02H



NT02H



NT02H



N

