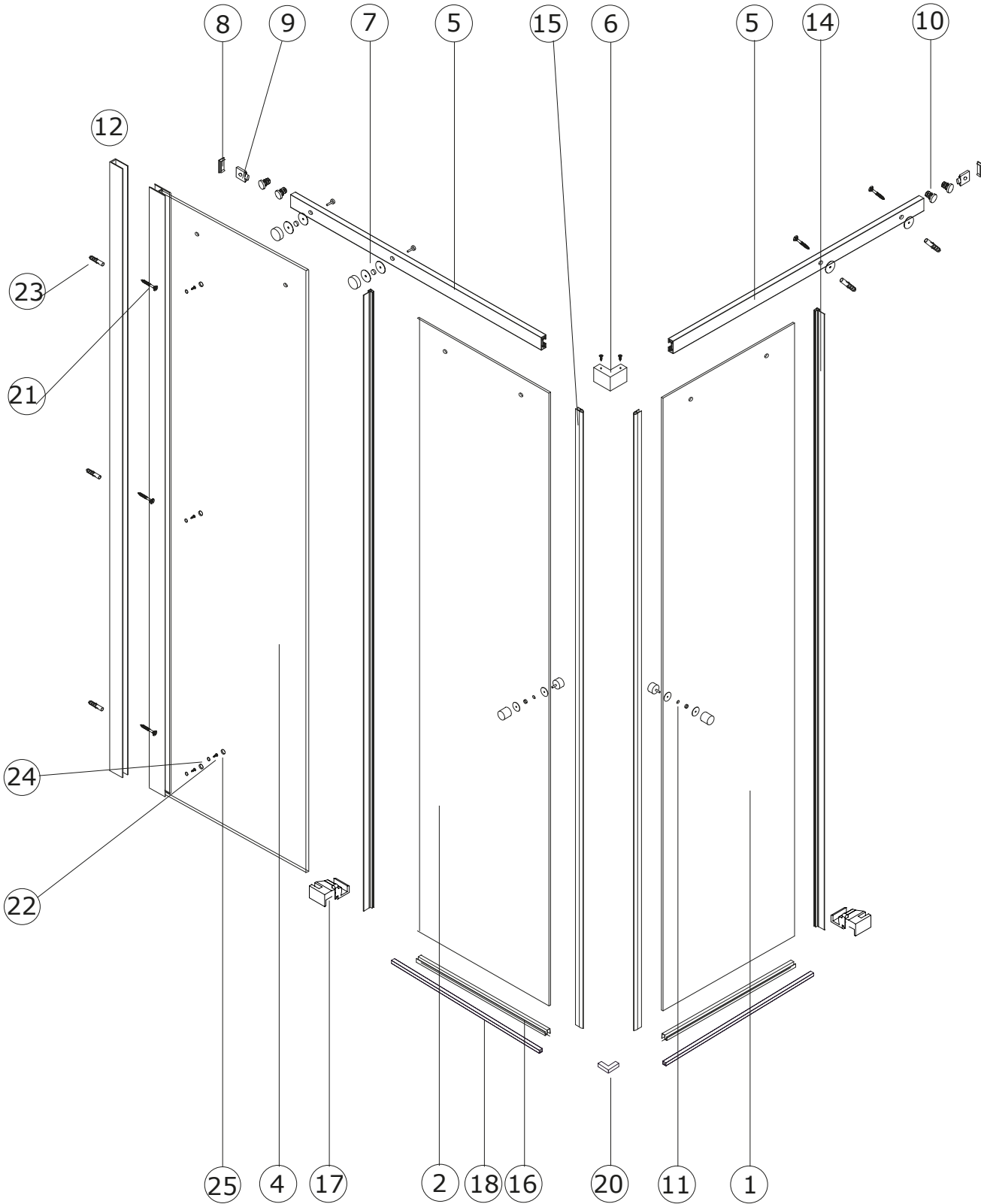


SU3AR

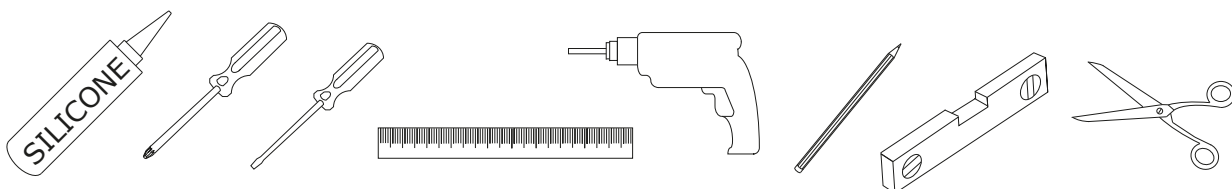


## SU3AR

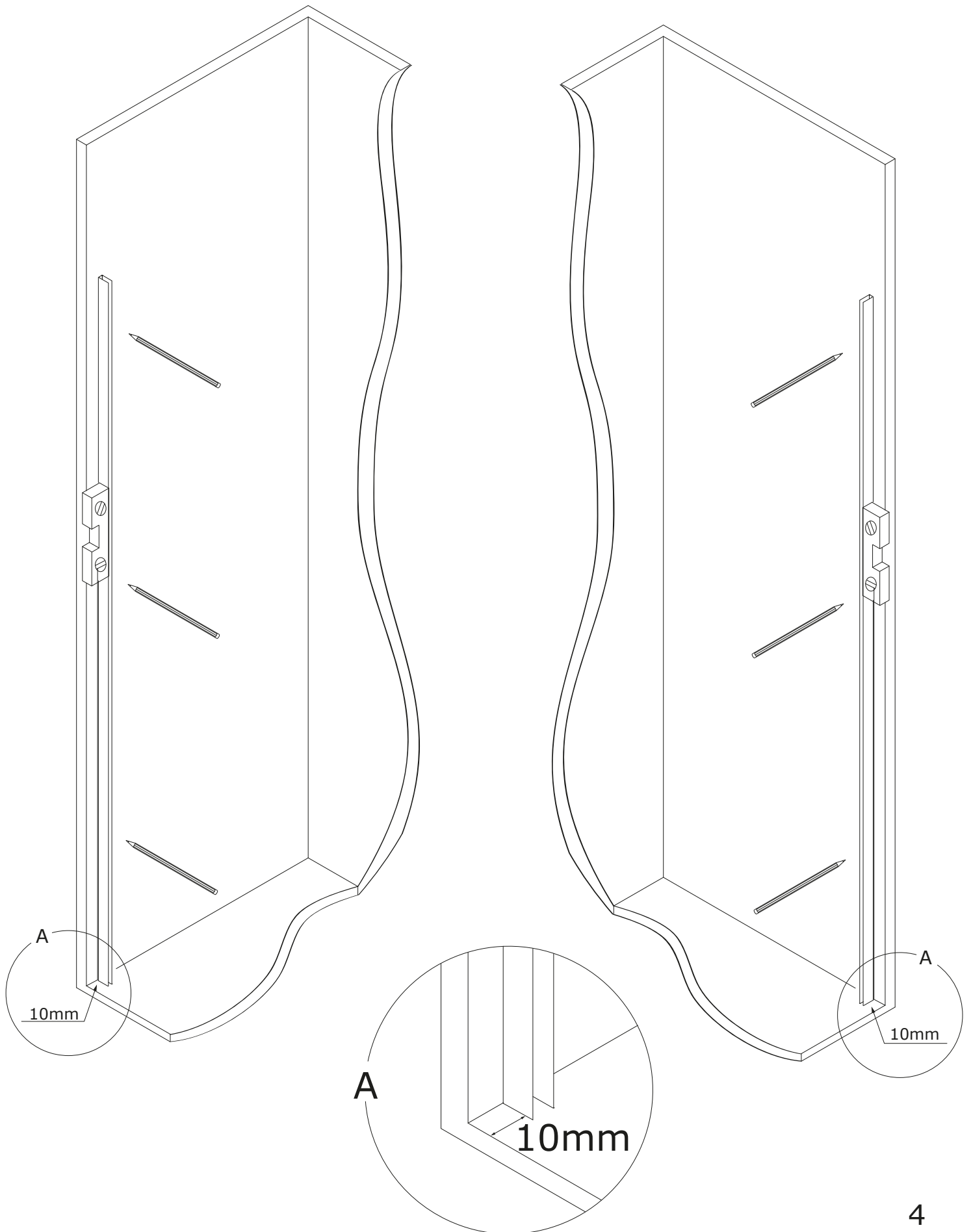
## COMPONENTES/COMPONENTS/COMPOSANTS

| CODE | DESCRIPTION                |                                    |                               | UNITS |
|------|----------------------------|------------------------------------|-------------------------------|-------|
| 1    | VIDRIO MÓVIL DERECHA       | LEFT MOBILE GLASS                  | PAROI MOBILE DROITE           | 1     |
| 2    | VIDRIO MÓVIL IZQUIERDA     | RIGHT MOBILE GLASS                 | PAROI MOBILE GAUCHE           | 1     |
| 4    | VIDRIO FIJO IZQUIERDA      | LEFT FIXED GLASS                   | PAROI FIXE GAUCHE             | 1     |
| 5    | BARRA SUPERIOR             | TOP BAR                            | BARRE SUPÉRIEURE              | 2     |
| 6    | ESQUINERO BARRA SUPERIOR   | CORNER TOP BAR                     | BARRE SUPÉRIEURE D'ANGLE      | 1     |
| 7    | SOPORTE BARRA-VIDRIO       | GLASS SUPPORT BAR                  | SUPPORT BARRE-VERRE           | 4     |
| 8    | TAPA FINAL BARRA SUPERIOR  | COVER TOP BAR                      | CACHE BARRE SUPÉRIEIRE        | 2     |
| 9    | TOPE                       | STOP                               | BUTOIR                        | 2     |
| 10   | RODAMIENTO                 | BEARING                            | ROULEMENT                     | 4     |
| 11   | POMO                       | HANDLE                             | POIGNÉE                       | 2     |
| 12   | PERFIL A PARED             | WALL ATTACHMENT PROFILE            | PROFILÉ MURAL                 | 2     |
| 14   | JUNTA CRUCE ENTRE VIDRIOS  | INTERSECTION JOINT BETWEEN GLASSES | JOINT CROISEMENT ENTRE PAROIS | 2     |
| 15   | JUNTA MAGNÉTICA            | MAGNETIC JOINT                     | JOINT MAGNÉTIQUE              | 2     |
| 16   | GOMA VIERTEAGUAS           | RAIN GUARD RUBBER                  | CAOUTCHOUC REJET D'EAU        | 2     |
| 17   | GUIADOR                    | GUIDEWIRE                          | GUIDE                         | 2     |
| 18   | VIERTEAGUAS                | RAIN GUARD                         | REJETS D'EAU                  | 2     |
| 20   | ESQUINERO VIERTEAGUAS      | CORNER RAIN GUARD                  | REJETS D'EAU D'ANGLE          | 1     |
| 21   | TORNILLOS A PARED (PERFIL) | WALL SCREW (PROFILE)               | VIS MURALE (PROFILÉ)          | 6     |
| 22   | AUTORROSCANTES             | SELF-TAPPING SCREW                 | VIS AUTOFOREUSES              | 6     |
| 23   | TACO (PERFIL)              | WALL PLUG (PROFILE)                | CHEVILLE (PROFILÉ)            | 6     |
| 24   | ARANDELAS                  | WASHER                             | RONDELLE                      | 6     |
| 25   | EMBELLECEDORES             | FINISH SCREW                       | CACHE-VIS                     | 6     |

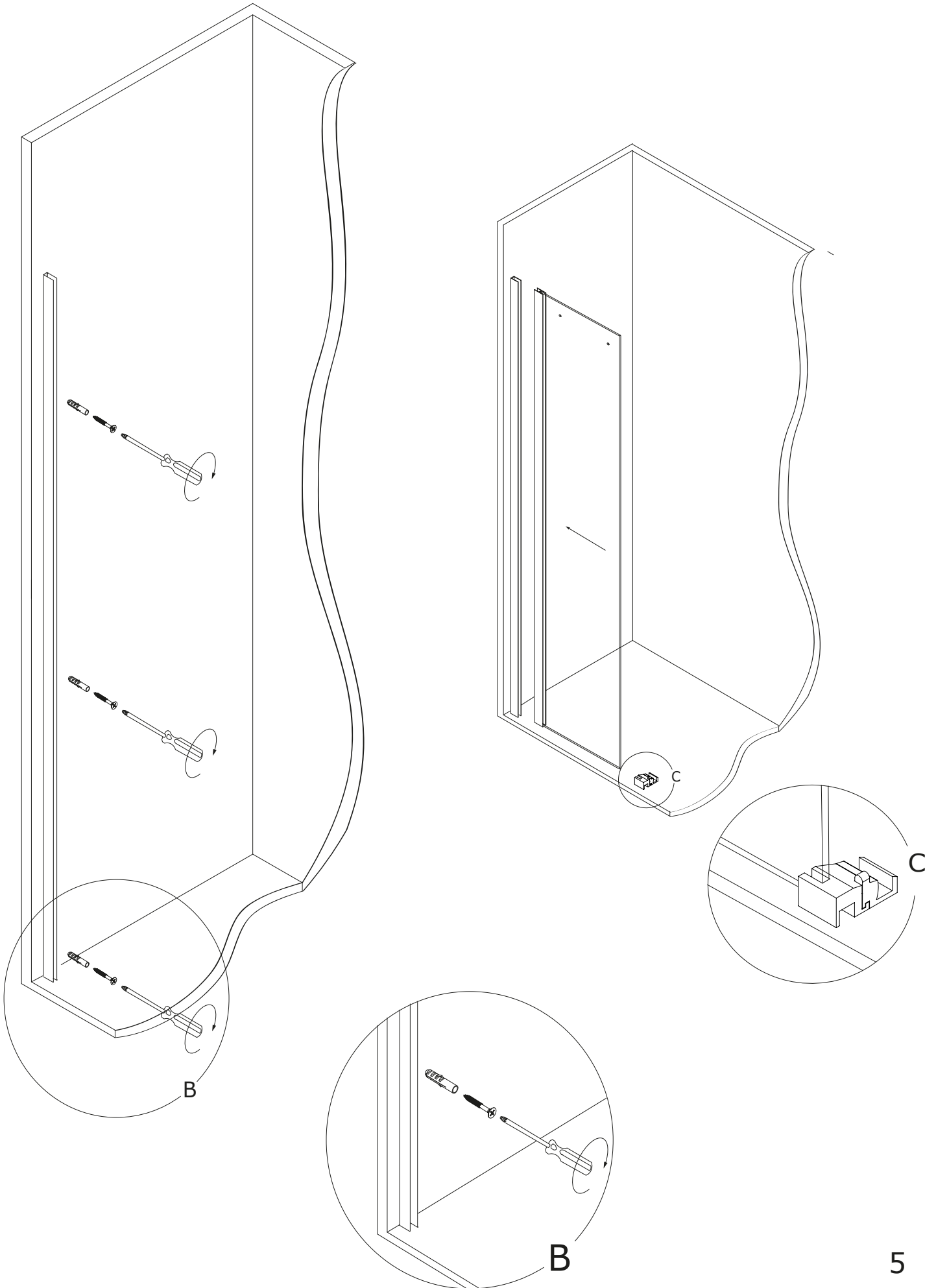
## HERRAMIENTAS NECESARIAS/TOOLS NEEDED/OUTILS NÉCESSAIRES



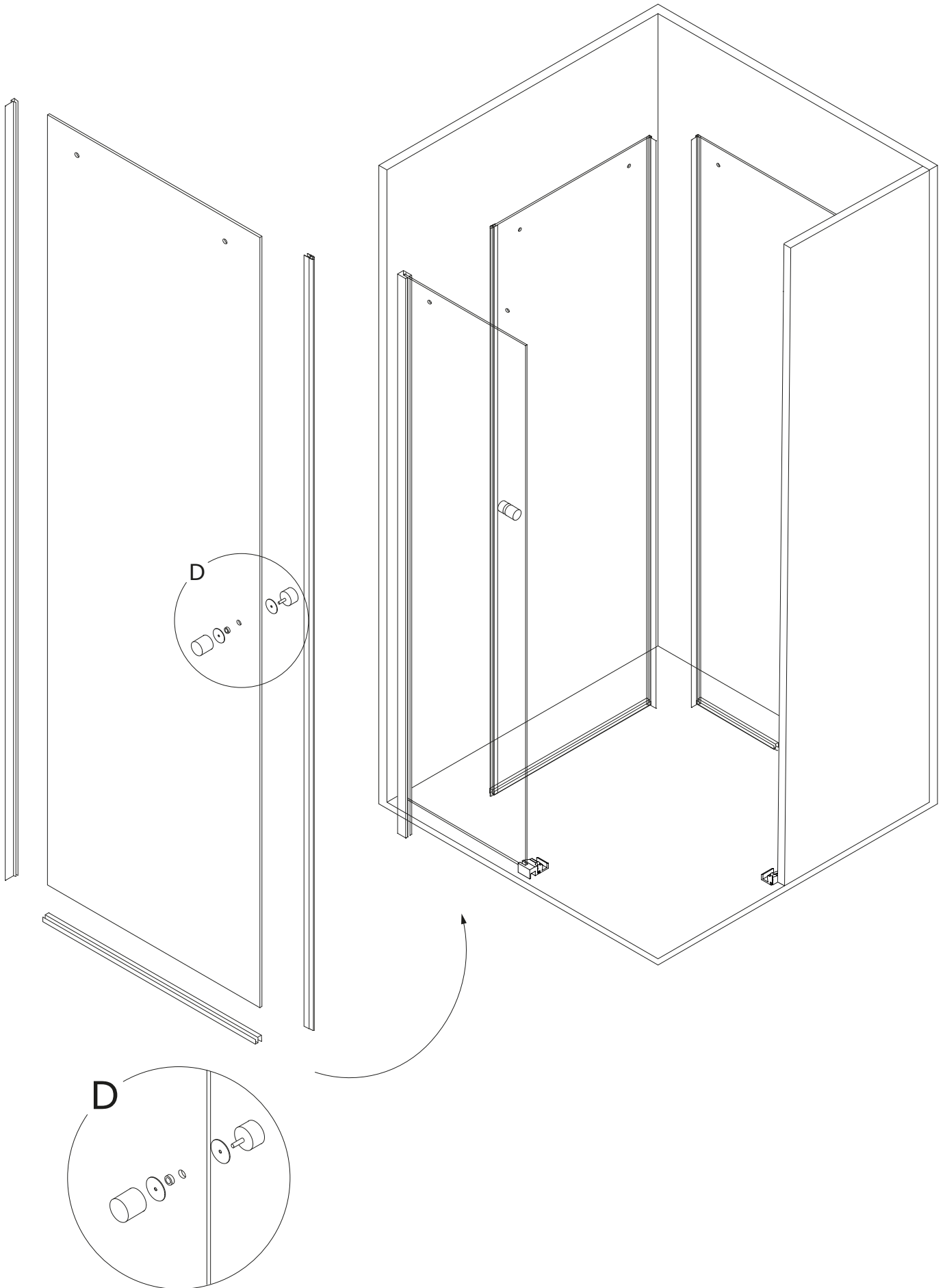
SU3AR



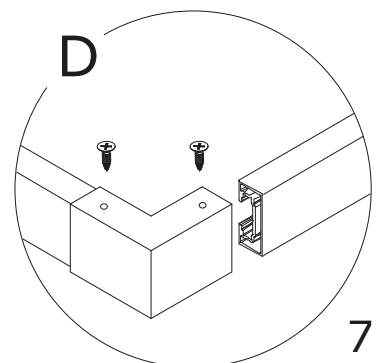
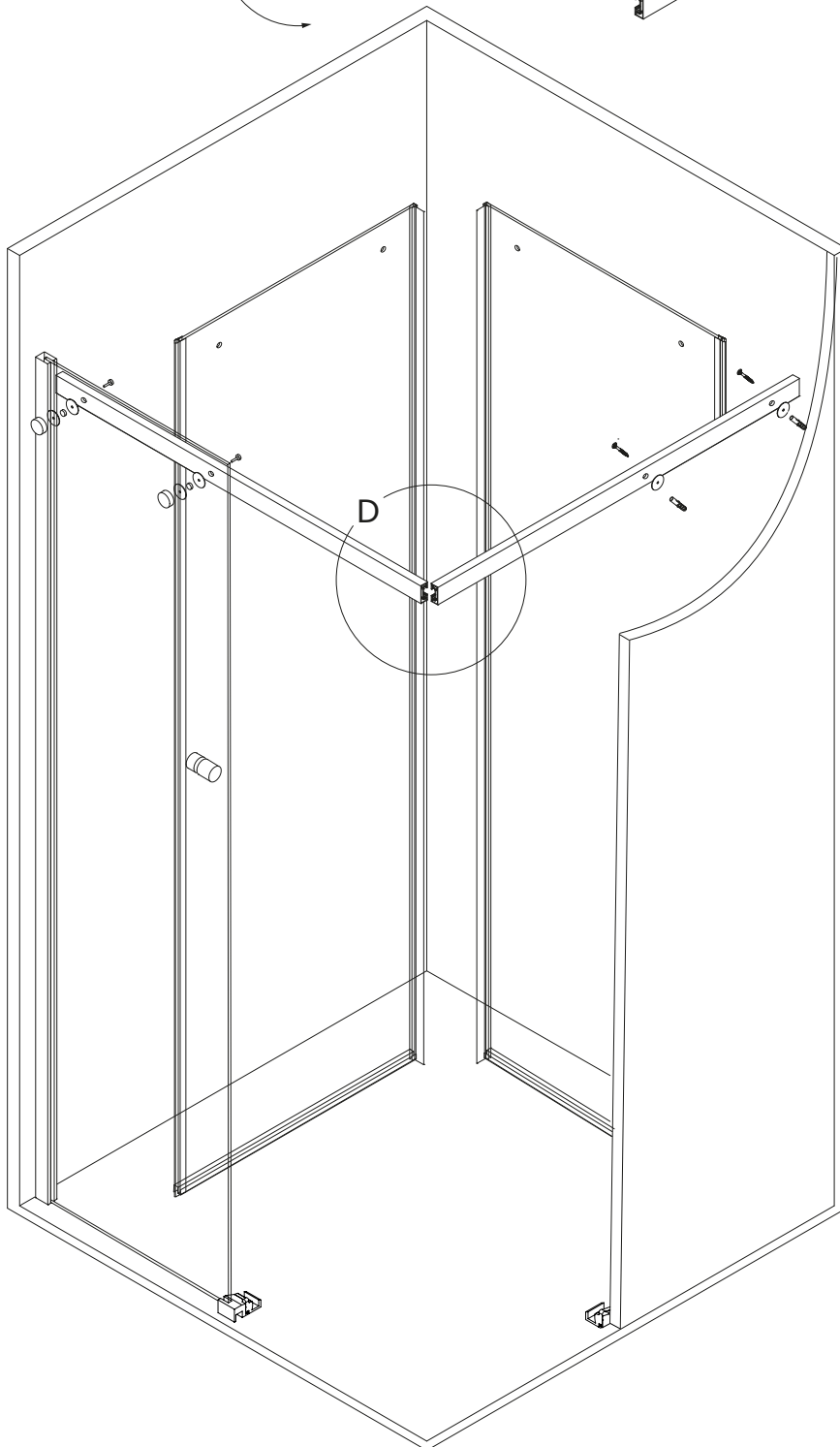
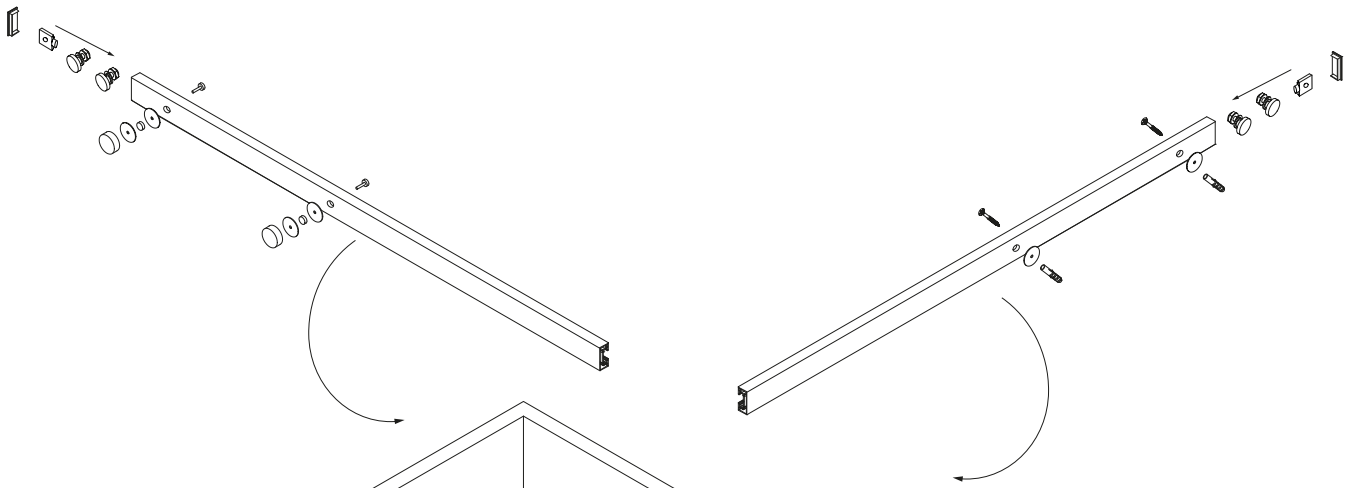
SU3AR



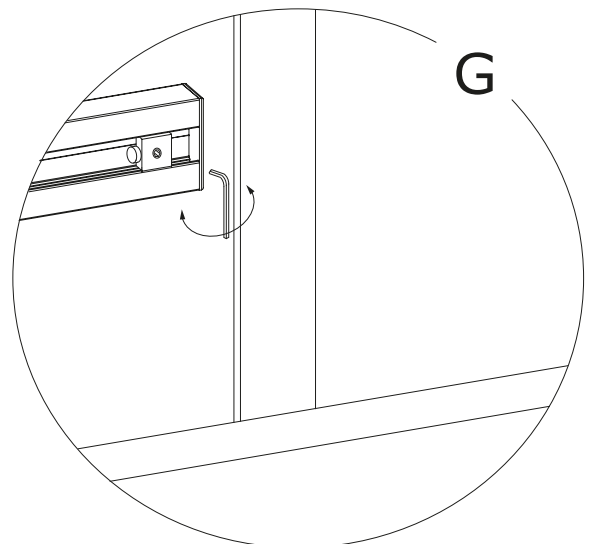
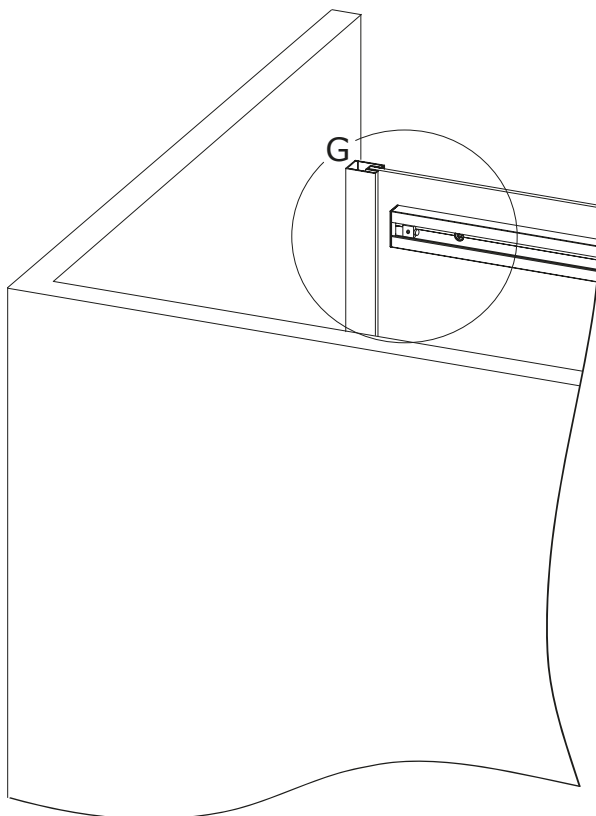
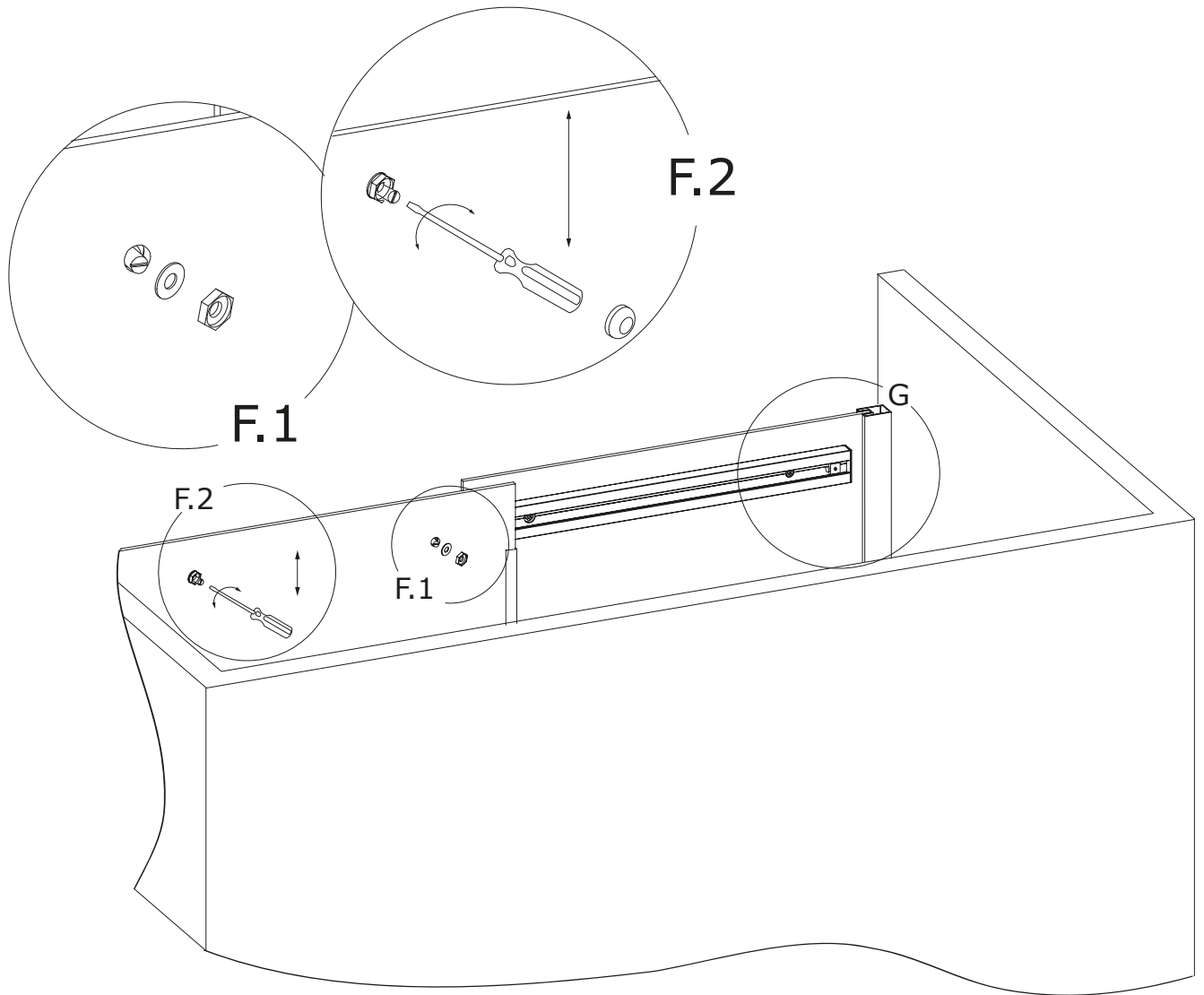
SU3AR



SU3AR



SU3AR



SU3AR

